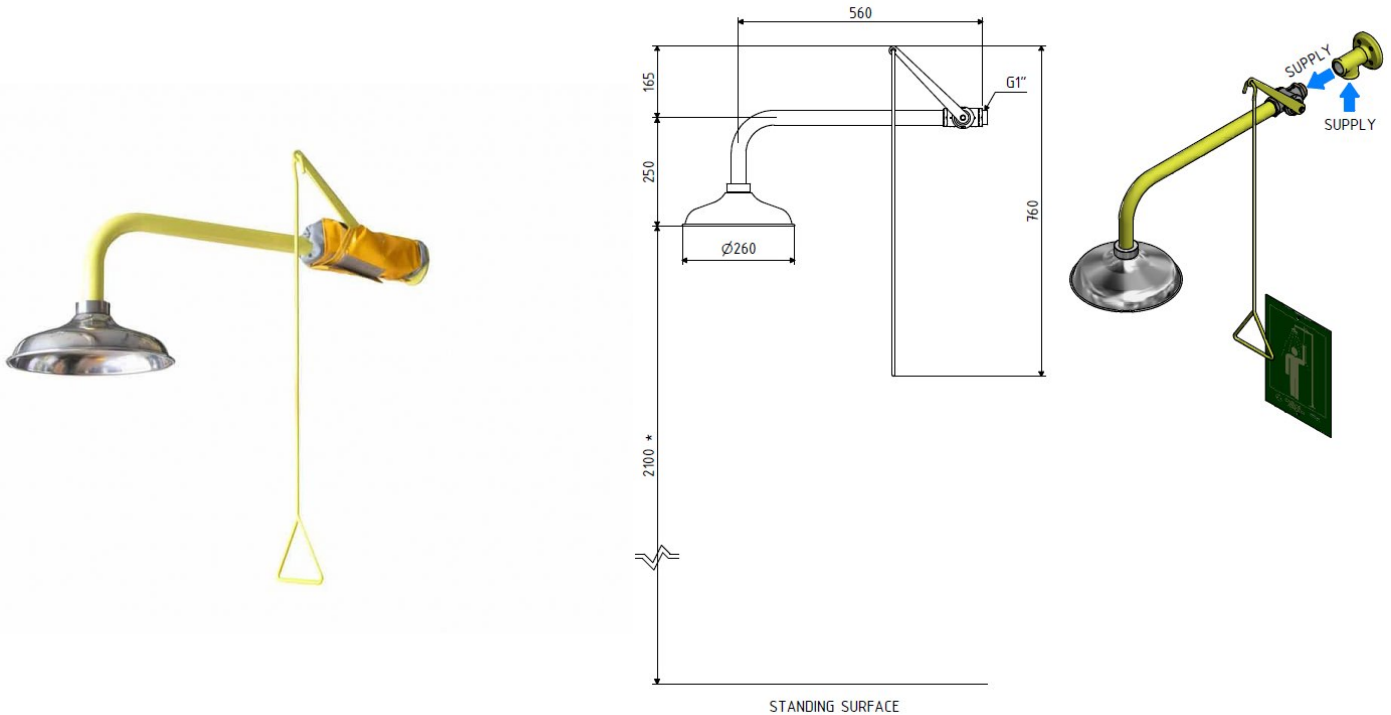


Frost Resistant Emergency Drench Shower



Product Code: ARB-TH220

Outdoor frost resistant emergency shower. With all year outdoor usage this frost resistant emergency shower will keep your employees safe. The unit also comes with bright yellow detailing to aid visibility, even in smoky or dusty environments or in emergency situations where the user's eyesight might be compromised.

All it takes to activate this stainless steel wall mounted emergency drench shower is a tug on the pull handle. Once activated, the unit will discharge water without interruption thanks to a stay-open ball valve. We take safety seriously here at Safety-Eyewash.co.uk, which is why we have added frost resistant safety showers to our range. The trace heating has an inbuilt thermostat that switches on when temperatures reach zero degrees celsius and turns off again at 3 degrees celsius. The unit is tested to meet the stringent testing requirements of the ANSI Z358.1, EN15154-2 and DVGW regulations.

Delivery>

To order usually 3 to 5 working days delivery time

Tech specs

Height (including pull rod): 760mm

Height (excluding pull rod): 415mm

Material: galvanised steel yellow-coated pipe, stainless steel shower head and pull handle, brass 1" male BSP connector

1" stay open shower ball valve with pull rod activation

Wall flange included

Length (wall to centre of shower head): 560mm

Shower head diameter: 260mm

High visibility foam insulation with jacket fastened with velcro fasteners

Trace heating with thermostat control (starts at 0 degrees celsius and turns off at 3 degrees celsius)

230v power supply required

Water pressure: 1.5 to 8 bar

Flow Rate: 75 litres per minute

Related products

Of course, we don't only sell safety showers. We're renowned for our comprehensive range of [safety eye wash stations](#), and we also sell [combined safety shower and eyewash units](#)

**All pictures shown are for illustration purpose only and may be subject to change without notice. Actual product may vary due to product enhancement.

All dimensions shown are for guidance only and may be subject to change or alteration without notice. All items manufactured or purchased separately from a third party to fit our products should be checked against the actual dimensions of the physical product before purchase. We will not be liable for third party costs and consequential loss associated with the items not fitting third party components.**